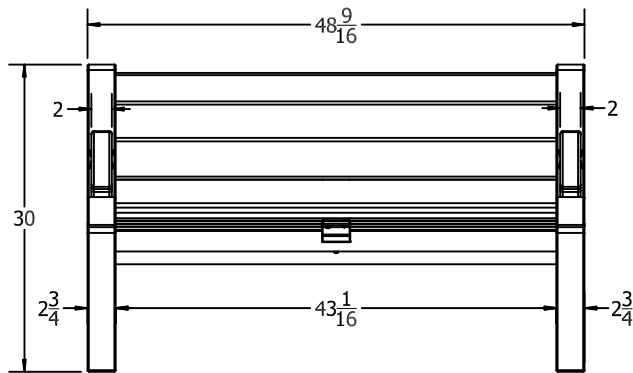
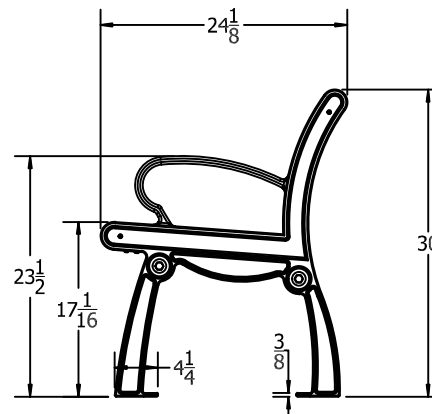


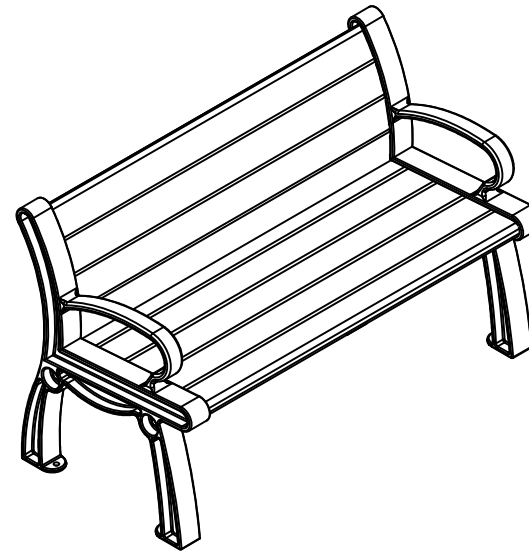
TOP VIEW




FRONT VIEW



SIDE VIEW



3D ISOMETRIC VIEW

- | | | | | |
|---|---|---|---|---|
|  |  |  |  |  |
| BLA | BLU | BRO | RED | WHI |
- STANDARD COLORS**
- | | | |
|---|---|---|
|  |  |  |
| CED | GRA | GRE |
- OPTIONAL COLORS**

INSERT COLOR CODE IN PRODUCT NUMBER
 CEDAR= CED, GRAY= GRA, GREEN= GRE, BLACK= BLA,
 BLUE= BLU, BROWN=BRO, RED= RED, WHITE=WHI

EXAMPLE: CEDAR HERITAGE 4 FT. BENCH W/
 BLACK FRAME = PB 4CEDBFHER

4 Ft. Heritage Bench Spec Sheet

©COPYRIGHT 2013-2033

THIS COPYRIGHTED MATERIAL IS THE PROPERTY OF FROG FURNISHINGS AND SHALL NOT BE REPRODUCED, PUBLISHED OR DISCLOSED TO OTHERS WITHOUT AUTHORIZATION AND CANNOT BE USED IN ANY WAY AGAINST OR DETRIMENTAL TO JAYHAWK PLASTICS INC. OLATHE, KANSAS USA

Frog Furnishings
 15750 S. Keeler Terrace
 Olathe, KS 66062
www.frogfurnishings.com

NOT TO SCALE
 Date: 02/2019

